

CASE STYLES

OUTLINE DIMENSIONS (inch/mm)

case no.	A	B	C	D	E	F	G	H	J	K	L	M	N	P	Q	R	S	T	wt. grams.	NOTES*
SM1	.250 6.35	.300 7.62	.070 1.78	.290 7.37	.050 1.27	.015 .38	.050 1.27	.060 1.52	.030 .76	.080 2.03	.300 7.62	.100 2.54	.020 .51	.015 .38	.070 1.78	.014 .36			.3	A21, F49
SM2	.250 6.35	.300 7.62	.070 1.78	.290 7.37	.050 1.27	.015 .38	.050 1.27	.060 1.52	.030 .76	.080 2.03	.300 7.62	.100 2.54	.020 .51	.015 .38	.070 1.78	.014 .36			.3	A21, F49
SM18	.375 9.53	.510 12.95	.140 3.56	.425 10.80	.100 2.54	.015 .38	.100 2.54	.060 1.52	.040 1.02	.100 2.54	.460 11.68	.140 3.56	.180 4.57	—	—	.020 .51			.4	A21, F48
SM20	.500 12.70	.460 11.68	.130 3.30	.575 14.61	.050 1.27	.015 .38	.025 .635	.070 1.70	.030 .76	.095 2.41	.600 15.24	.120 3.05	.160 4.06	—	—	.012 .30			.5	A21, F53

tolerance .x±.1 .xx±.03 .xxx±.015 inch

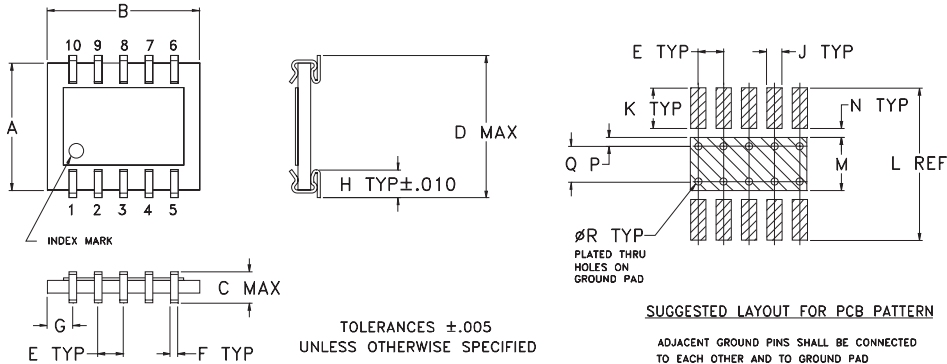
oz. = grams x.0353

* NOTES:

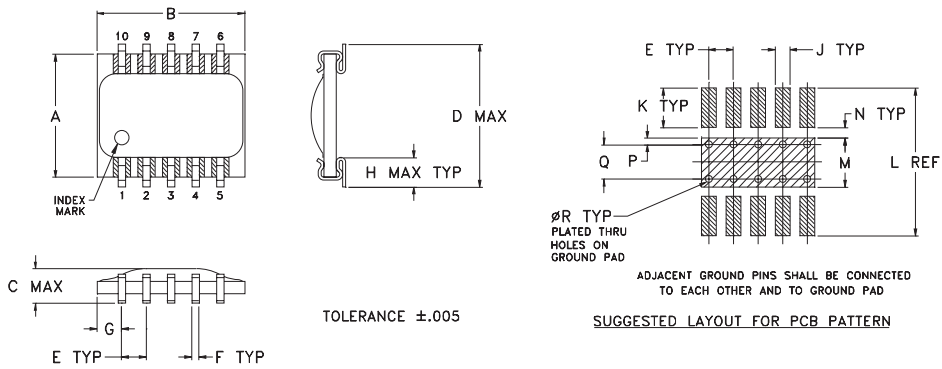
- A. MATERIAL AND FINISH
A21. Open-style, ceramic base. Termination finish: solder plate over nickel.
- F. PACKAGING
F1-53. Tape and reel packaging available. See Tape and Reel Packaging Information for details. To order Tape & Reel version add -TR suffix to model.

OUTLINE DRAWINGS

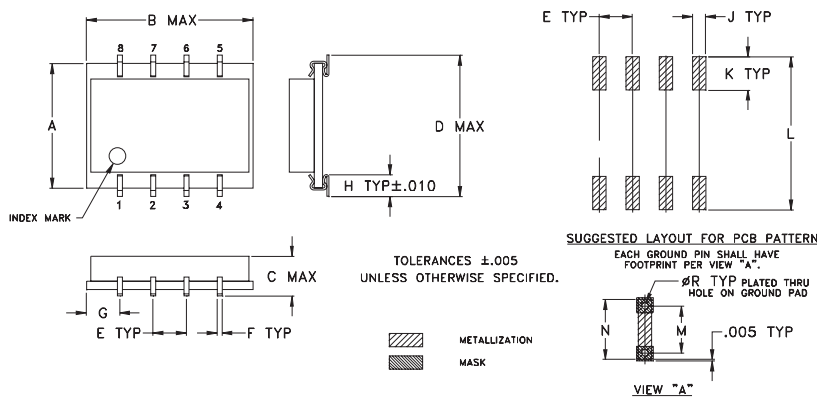
SM1



SM2



SM18



SM20

